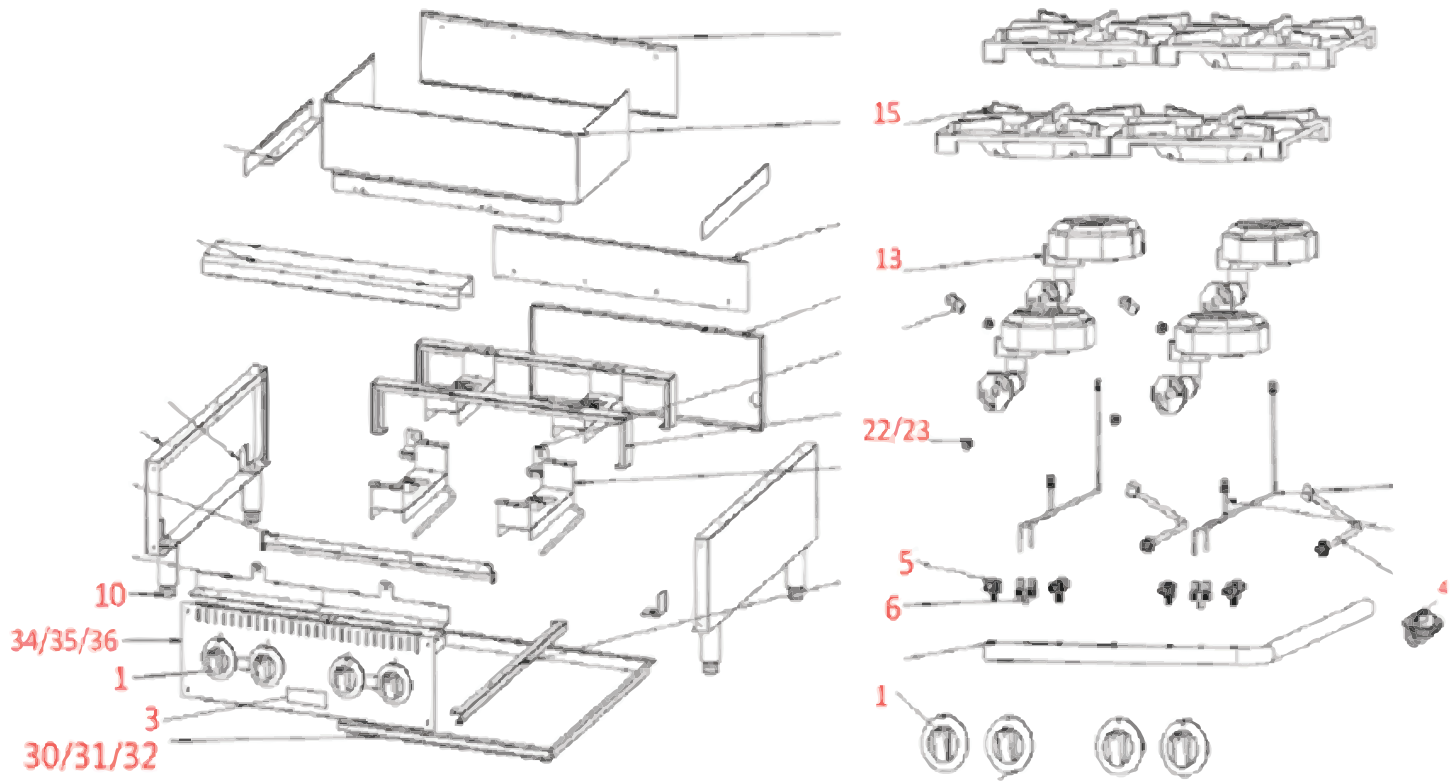


Parts Breakdown

Model CE-CN-HP12-S 47382





Parts Breakdown

Model CE-CN-HP12-S 47382

Item No.	Description	Position	Item No.	Description	Position	Item No.	Description	Position
AI813	Knob for 47382	1	AI795	Pilot Valve 1 to 2 (Hotplate) for 47382	6	AI799	Orifice (Hotplate, Nat Gas) for 47382	22
AI814	Nameplate for 47382	3	AI752	4" Adjustable Leg for 47382	10	AI800	Orifice (Hotplate, LP Gas) for 47382	23
AI750	Regulator 4"/10" for 47382	4	AI796	Front Burner for Hotplate for 47382	13	AI815	Drop Pan for 12 Charbroiler & Hot Plate for 47382	30
AI767	Manual Gas Valve for 47382	5	AI798	Grate for Hotplate for 47382	15	AI816	Front Panel - 2 Burner Hotplate for 47382	34